

DYNISCO MODEL TG422J

Thermocouple for General Extrusion Measurements

Description

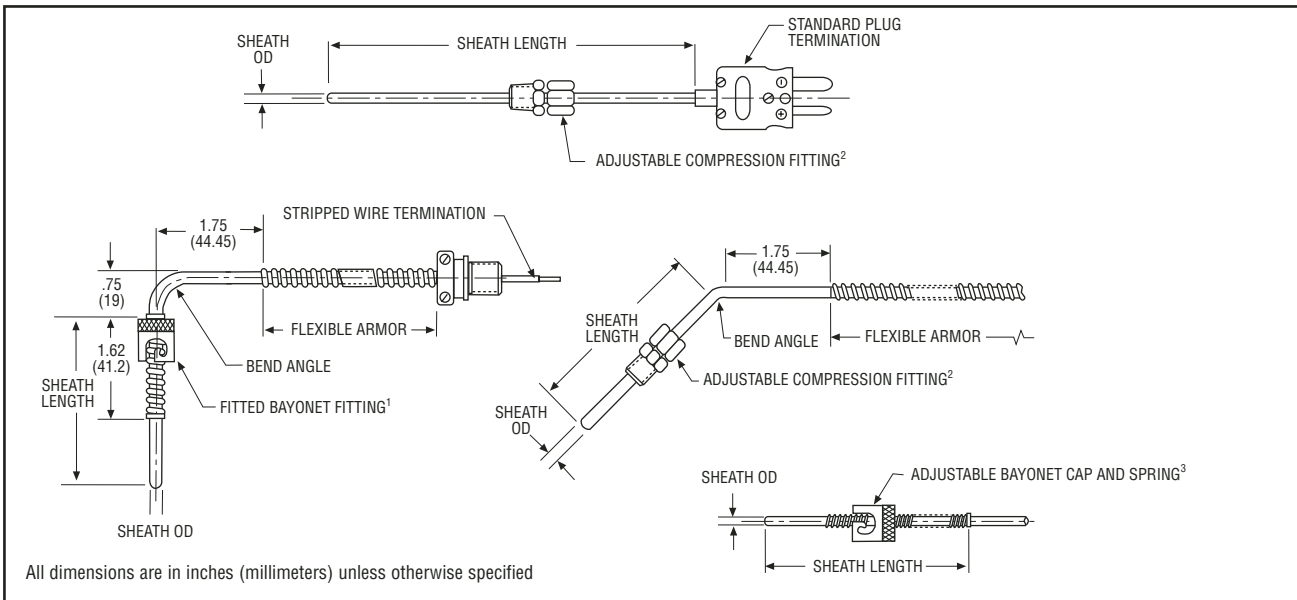
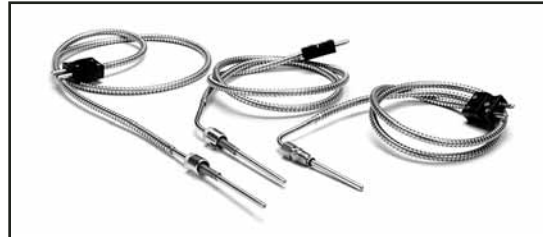
Thermocouples are the most common, convenient and versatile devices used to measure temperature. Dynisco's TG422J thermocouple offers economy and versatility, making it a popular choice for extrusion applications in the plastics industry. Available as type J and with 304 stainless steel sheaths, the probe can be straight or manufactured to either a 45° or 90° bend angle. Dynisco's temperature thermocouples are designed and manufactured to applicable ISA standards with accuracy traceable to the National Institute of Standard Technology (NIST).

Features

- Type J thermocouple
- 0 - 900°F measurement range
- Fiberglass insulated element
- Adjustable brass or bayonet fitting

Benefits

- Standard output
- Wide range of measurements
- Protects the wire
- Application versatility



Ordering Guide

Model	Sheath OD		Sheath Length		Bend Angle		Element Fitting		Flexible Armor/Wire ⁴		Termination	
	Code	Type	Code	Diameter	Code	In Inches 1" Increments	Code	Degrees	Code	Type	Code	Description
TG422J	1	1/8" (3.2 mm)	01	= 1"	S	Straight	1	Fixed Bayonet ¹	205	Stranded wire	0	Stripped wire
	2	3/16" (4.8 mm)	02	= 2"	45	45°	2	Compression ²		5 ft. armor length	2	(50 mm) long
	3	1/4" (6.4 mm)	025	= 2.5"	90	90°		1/8 NPT brass adjustable	210	Stranded wire	1	Standard plug, Type J, male thermocouple connector
			03	= 3"			5	Adjustable bayonet cap and spring ³		10 ft. armor length		
			10	= 10"								
			12	= 12"								

1. For 1/8 and 3/16 OD Sheaths only, fitting length = 1.62.

2. For 1/8 and 3/16 OD Sheath fitting, fitting length = 1.00. For 3/16 OD sheath, fitting length = 1.12. For 1/4 OD sheath, fitting length = 1.25.

3. For 1/8 OD sheaths only, fitting length = 2.38.

4. Leadwire: 20 gauge, fiberglass insulated.

Incoming inspection per applicable part number/model description.

Ordering Example: TG422J - 106 - S - 1 - 205 - 0

Delivery

All configurations express delivery.