



SPX2242



Features

- HART™ digital communication
- Better than +/- 0.25% combined error
- 4 - 20 mA loop-powered output
- 0 - 250 to 0 -30,000 psi
- Explosion Proof, Intrinsically Safe/ATEX approved*
- Meets PED and CE requirements

Benefits

- Configurable via handheld
- Precise repeatable pressure measurements
- Output supplied directly to DCS or PLC
- Customer defined pressure ranges
- Approved for hazardous environments
- Meets new EC requirements

Description

The SPX2242 is a smart 4 - 20 mA pressure transmitter designed for use in hazardous locations. The SPX2242 is an all welded construction that features a 1/2-20 UNF thread for installation in standard transducer mounting holes. Optional thermocouple or RTD configurations are available to provide melt temperature. The SPX2242E has explosion proof approval for Class 1, Division I, Groups A, B, C & D. The explosion proof model employs a conduit fitting. The SPX2242S is approved for ATEX/Intrinsically Safe II 1 G 100a Eex ia IIC, Zone 0 and 1. The ATEX/Intrinsically safe models can be supplied with either a conduit fitting or a hermetically sealed 6 pin bendix connector.

Specifications

PERFORMANCE CHARACTERISTICS

Output: 4 - 20 mA, with optional HART™
Input Voltage: 16 - 36 Vdc (Standard)
 16 - 30 Vdc (ATEX/Intrinsically Safe Applications)
Combined Error: +/- 0.25% FSO,
 +/- 0.5% FSO for ranges below 1,500 psi
 (Including Linearity, Repeatability & Hysteresis)
Repeatability: +/- 0.1%FSO
Rerangability: 3:1 Turndown
Over Pressure: 2 X FSO or 35,000 psi, whichever is less
Zero Balance Adjustment Range: -40% to +10%;
 -80% to +20% for < 500 psi
Gain Span Adjustment Range: +/- 2% FSO maximum
Load Resistance: 500 Ω @ 26 Vdc 1000 Ω @ 36 Vdc

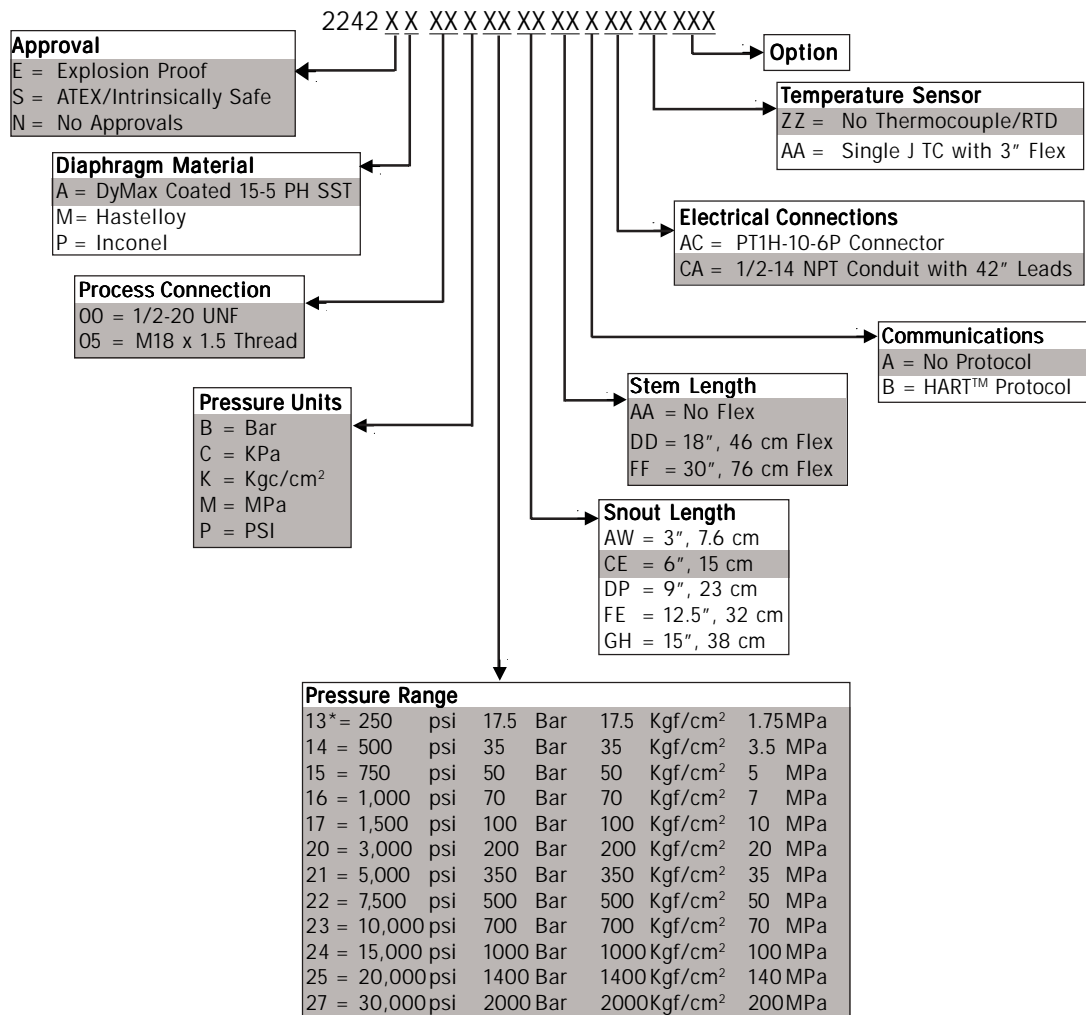
* Approvals pending

TEMPERATURE & MECHANICAL CHARACTERISTICS

Max Diaphragm Temperature: 750°F (400°C)
Zero Shift (due to temperature change):
 15 psi/100°F Typical (27 psi/100°C)
Electronics Operating Temperature:
 -20° to 185°F (-29° to 85°C)
**Effects over Compensated Temperature Range of
 0° to 150°F (-18° to 65°C) - Zero & Span (each):**
 0.01% FS/°F max (0.02% FS/°C max)
Mounting Torque: 500 inch/lbs. maximum
Standard Wetted Parts: DyMax™ coated 15-5 PH SST

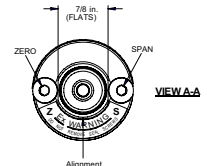
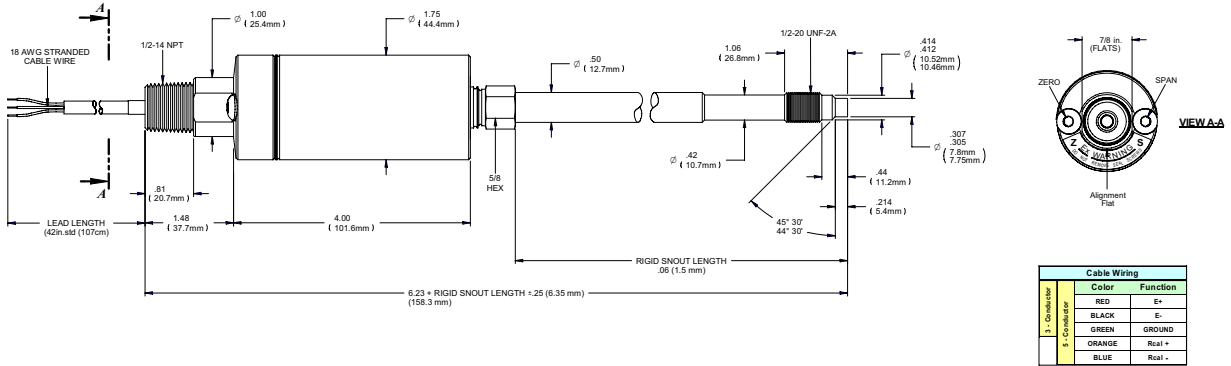


Ordering Guide

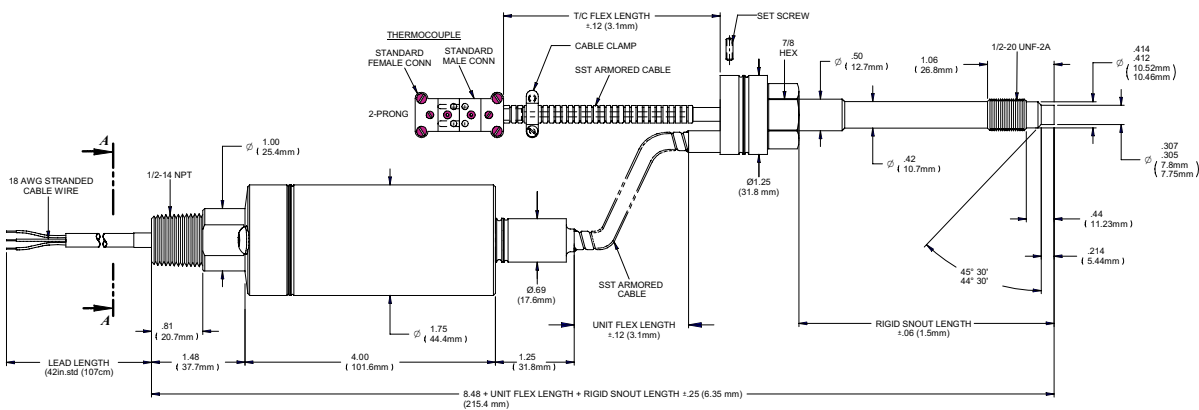
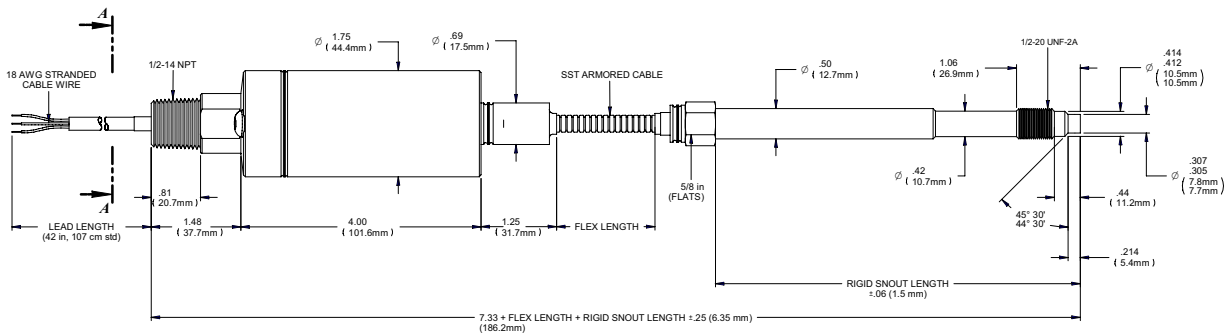


* Available in M18 x 1.5 Thread only

Shaded sections refer to standard configurations. Accuracy may be affected if non-standard configurations are used. For additional options please consult factory.



Cable Wiring		
	Color	Function
1 - Distributor	RED	E+
	BLACK	E-
2 - Combinator	GREEN	GROUND
	ORANGE	Real +
	BLUE	Real -



All dimensions are in inches (mm).

03/04