



## HySense QT 118

Turbine volume flow sensor with increased IP protection

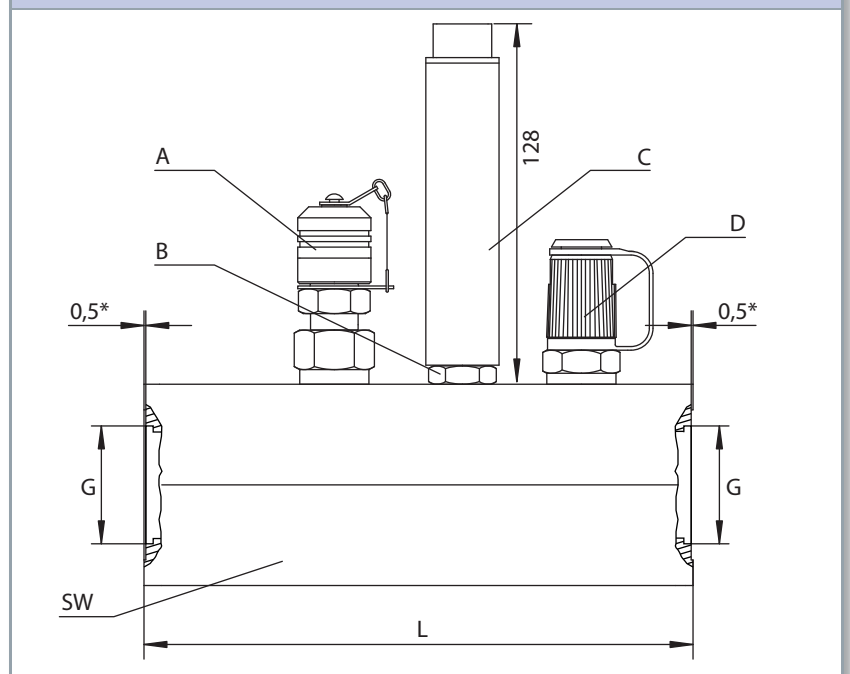
The turbines are factory calibrated for mineral oil at 30 cSt. Other calibration viscosities are available on request.

Qualities	
Measuring principle	volume flow
Viscosity range	see order data
Medium temperature	max. +120 °C
Environmental temperature	-20 ... +85 °C
Storage temperature	-20 ... +85 °C
Output signal	4 ... 20 mA
Supply voltage Ub	12 ... 24 VDC
Electrical measuring connector	device connector 3 pole AMP, acc. to DIN 72585
Protection type (EN 60529 / IEC 529)	IP 69
Tightening torque	10 Nm (± 2 Nm)
Calibration viscosity	30 mm <sup>2</sup> /s (cSt)
Material turbine casing	Aluminium AlZnMgCu 1,5
Material turbine wheel	1.4122 (for measuring range 1.0 ... 10 l/min) 1.0718 (for all other measuring ranges)
Material sealings	FKM
Material sensor casing	1.4571
Suitable measuring cable	customer-specific

Pin assignment	4 ... 20 mA
	Pin 1 = signal +
	Pin 2 = signal - / GND
	Pin 3 = + Ub

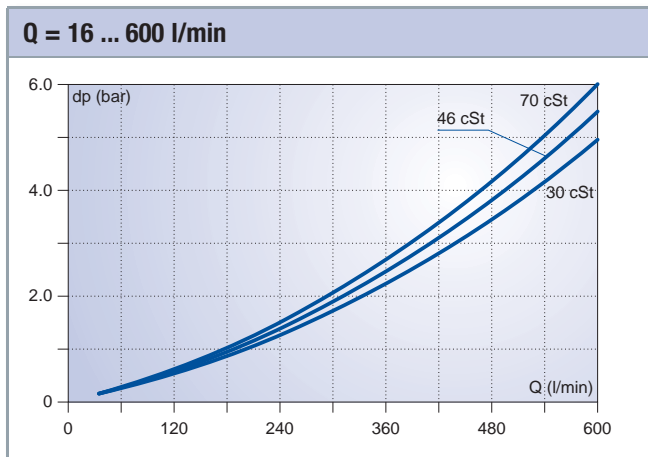
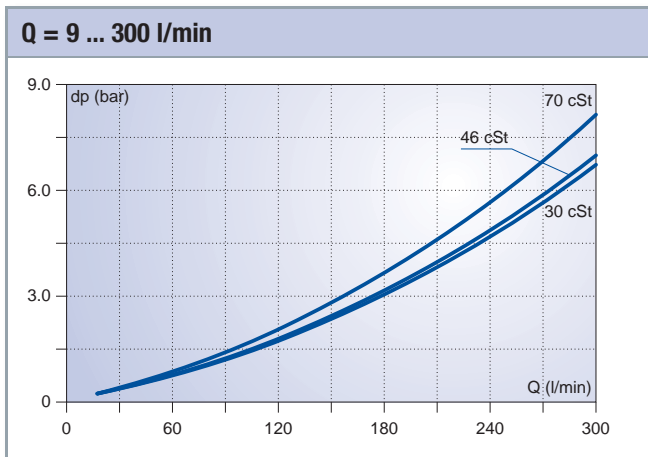
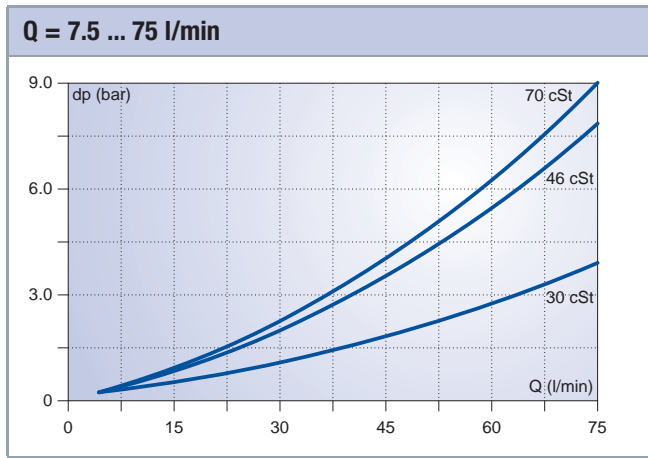
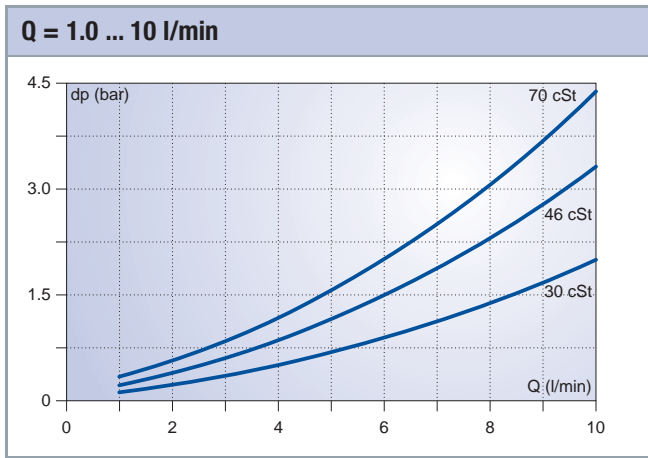
Measuring range	Max. working pressure		Viscosity range	Error limit	Weight	Order number
	l/min	bar				
1.0 ... 10.0	420	42	1 ... 60	± 2.5 %	681	31N7-01-35.030
7.5 ... 75.0	420	42	1 ... 100	± 2.5 %	869	31N7-70-35.030
15 ... 300	420	42	1 ... 100	± 2.5 %	1,206	31N7-71-35.030
25 ... 600	350	35	1 ... 100	± 2.0 %	1,498	31N7-72-35.030

**QT 118**



Measuring range	L	SW	G	Error limit*
l/min	mm			%
1.0 ... 10.0	120	41	ISO 228-G <sup>1</sup> / <sub>4</sub>	± 2.5
7.5 ... 75.0	130	46	ISO 228-G <sup>3</sup> / <sub>4</sub>	
15 ... 300	150	55	ISO 228-G1	
25 ... 600	174	60	ISO 228-G1 <sup>1</sup> / <sub>4</sub>	± 2.0

- A MINIMESS® p/T test point for pressure and temperature, series 1620
- B max. tightening torque  $M = 10 \pm 2$  Nm
- C inductive sensor / amplifier
- D MINIMESS® test point, series 1620
- \* depth of spot face



**Notes**