



IXMP i

Precision Pressure Transmitter for the Process Industry with HART®-Communication and SIL2 (optionally)

Stainless Steel Sensor

accuracy according to IEC 60770:
0.1 % FSO

Nominal pressure

from 0 ... 400 mbar up to 0 ... 600 bar

Output signals

2-wire: 4 ... 20 mA
others on request

Special characteristics

- ▶ turn-down 1:10
- ▶ two chamber aluminium die cast case or stainless field housing
- ▶ internal or flush welded diaphragm
- ▶ HART®-communication
- ▶ explosion protection intrinsic safety (ia)

Optional versions

- ▶ explosion protection flameproof equipment (d)
- ▶ SIL2 - version according to IEC 61508 / IEC 61511
- ▶ integrated display and operating module
- ▶ special materials as Hastelloy® and Tantalum
- ▶ cooling element for media temperatures up to 300 °C

The process pressure transmitter IXMP i has been especially designed for the process industry as well as food and pharmaceutical industry (version stainless steel field housing) and measures vacuum, gauge and absolute pressure ranges of gases, steam, fluids up to 600 bar.

Different process connections such as threads and flanges with an internal or flush welded diaphragm are available and can be combined with a cooling element for media temperatures up to 300 °C. The transmitter is as a standard equipped with HART®-communication; the customer can choose between a aluminium die cast case or a stainless field housing.

Preferred areas of use are



Oil and gas industry / chemical and petrochemical industry

Food / pharmaceutical industry

Material and test certificates

- ▶ Inspection certificate 3.1 according to EN 10204
- ▶ Test report 2.2 according to EN 10204



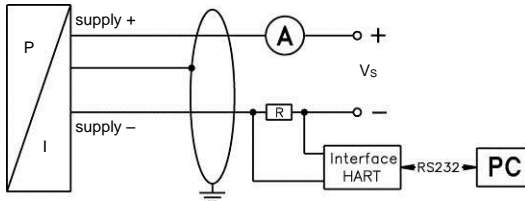
Pressure ranges ¹														
Nominal pressure gauge / abs. ²	[bar]	0.4	1	2	4	10	20	40	100	200	400	600		
Overpressure	[bar]	2	5	10	20	40	80	105	210	600	1000	1000		
Burst pressure ≥	[bar]	3	7.5	15	25	50	120	210	420	1000	1250	1250		
¹ on customer request we adjust the devices within the turn-down-possibility by software to the required pressure ranges														
² absolute pressure possible from 1 bar														
Vacuum ranges														
Nominal pressure gauge	[bar]	-0.4 ... 0.4		-1 ... 1		-1 ... 2		-1 ... 4		-1 ... 10				
Overpressure	[bar]	2		5		10		20		40				
Burst pressure ≥	[bar]	3		7.5		15		25		50				
Output signal / Supply														
2-wire: 4 ... 20 mA with explosion protection		standard:	intrinsic safety (ia) with HART®-communication							V _S = 12 ... 28 V _{DC}				
		options:	flameproof equipment (d) with HART®-communication							V _S = 13 ... 28 V _{DC}				
			SIL2 / intrinsic safety (ia) with HART®-communication							V _S = 12 ... 28 V _{DC}				
			SIL2 / flameproof equipment (d) with HART®-communication							V _S = 13 ... 28 V _{DC}				
Current consumption		max. 25 mA												
Performance														
Accuracy ³ performance after turn-down (TD)		≤ ± 0.1 % FSO												
		no change of accuracy												
		the accuracy is calculated as follows: ≤ 0.1 + 0.015 x (turn-down - 5) % FSO												
		e.g. turn-down 9: ≤ 0.1 + 0.015 x (9 - 5) % FSO = 0.16 % FSO												
Permissible load		R _{max} = [(V _S - V _{S min}) / 0.02 A] Ω					load during HART® communication: R _{min} = 250 Ω							
Influence effects		supply: 0.05 % FSO / 10 V					permissible load: 0.05 % FSO / kΩ							
Long term stability		≤ ± 0.1 % FSO / year at reference conditions												
Response time		100 msec – without consideration of electronic damping							measuring rate 10/sec					
Adjustability		electronic damping: 0 ... 100 sec			offset 0 ... 90 % FSO			turn-down of span up to 1:10						
³ accuracy according to IEC 60770 – limit point adjustment (non-linearity, hysteresis, repeatability)														
Thermal errors / Permissible temperatures														
Tolerance band ^{4,5}		≤ 0.2 % FSO x turn-down (in compensated range -20 ... 85 °C)												
Permissible temperatures ⁶		medium:					without display:			environment: -40 ... 80 °C				
		-40 ... 125 °C for filling fluid silicone oil					storage: -40 ... 80 °C							
		-10 ... 125 °C for filling fluid food compatible oil					with display:			environment: -20 ... 70 °C				
							storage: -30 ... 80 °C							
Permissible temperature medium for cooling element 300°C		filling fluid silicone oil			overpressure: -40 ... 300 °C			low pressure: -40 ... 150 °C						
		filling fluid food compatible oil			overpressure: -10 ... 250 °C			low pressure: -10 ... 150 °C						
⁴ an optional cooling element can influence thermal effects for offset and span depending on installation position and filling conditions														
⁵ for flange- and DRD-version: tolerance band offset ≤ ± 1.6 % FSO / tolerance band span ≤ ± 0.6 % FSO														
⁶ max. temperature of the medium for nominal pressure gauge > 0 bar: 150 °C for 60 minutes with a max. environmental temperature of 50 °C (without cooling element).														
Electrical protection														
Short-circuit protection		permanent												
Reverse polarity protection		no damage, but also no function												
Electromagnetic compatibility		emission and immunity according to EN 61326												
Mechanical stability														
Vibration		5 g RMS (25 ... 2000 Hz)			according to DIN EN 60068-2-6									
Shock		100 g / 11 msec			according to DIN EN 60068-2-27									
Filling fluids														
Standard		silicone oil												
Options for process connections		food compatible oil according to 21CFR178.3570 (Mobil SHC Cibus 32; Category Code: H1; NSF Registration No.: 141500) Halocarbon and others on request												
Materials														
Pressure port		stainless steel 1.4435 (316L)												
Housing		aluminium die cast, powder-coated or stainless steel 1.4404 (316L)												
Cable gland		brass, nickel plated												
Viewing glass		laminated safety glass												
Seals (media wetted)		thread: standard: FKM												
		options: FFKM (min. permissible temperature from -15 °C, possible for nominal pressure ranges p _N ≤ 100 bar); others on request												
		welded version for pressure ports EN 837 with p _N between 1 and 40 bar												
		DRD and flange: none, not included in the scope of delivery												
		Clamp, Varivent®: none												
Diaphragm		standard:					stainless steel 1.4435 (316 L)							
		options for process connections:					Hastelloy® C-276 (2.4819)			tantalum (possible from 1 bar) on request				
Media wetted parts		pressure port, seal, diaphragm												

Explosion protection	
Approvals AX12-IXMP i AX2-IXMP i (with SIL2)	intrinsic safety IExU 05 ATEX 1106 X (with SIL2: IExU 05 ATEX1105 X) stainless steel field housing: zone 0: II 1G Ex ia IIC T4 Ga zone 20: II 1D Ex ia IIC T85 °C Da safety technical maximum values: $U_i = 28\text{ V}$, $I_i = 98\text{ mA}$, $P_i = 680\text{ mW}$, $C_i = 0\text{ nF}$, $L_i = 0\text{ }\mu\text{H}$, $C_{\text{GND}} = 27\text{ nF}$
Approvals AX17-IXMP i AX7-IXMP i (with SIL2)	flameproof enclosure with aluminium die cast case IExU 12 ATEX 1045 X (with SIL2: IExU 12 ATEX1073 X) zone 1: II 2G Ex db IIC T5 Gb aluminium die cast case: zone 0/1: II 1/2G Ex ia IIB T4 Ga/Gb zone 20: II 1D Ex ia IIC T85 °C Da safety technical maximum values: $U_i = 28\text{ V}$, $I_i = 98\text{ mA}$, $P_i = 680\text{ mW}$, $C_i = 0\text{ nF}$, $L_i = 0\text{ }\mu\text{H}$, $C_{\text{GND}} = 33\text{ nF}$
Permissible temperatures for environment	in zone 0: -20 ... 60 °C with p_{atm} 0.8 bar up to 1.1 bar zone 1 or higher: intrinsic safety: -40 ... 70 °C / flameproof enclosure: -20 ... 70 °C
Connecting cables (by factory)	capacitance: signal line/shield also signal line/signal line: 160 pF/m inductance: signal line/shield also signal line/signal line: 1 $\mu\text{H}/\text{m}$
Options	
SIL2-version	according to IEC 61508 / IEC 61511
Display	LC-display, visible range 32.5 x 22.5 mm; 5-digit 7-segment main display, digit height 8 mm, range of indication ± 9999 ; 8-digit 14-segment additional display, digit height 5 mm; 52-segement bargraph; accuracy 0.1% \pm 1 digit
Miscellaneous	
Ingress protection	IP 67
Installation position	any (standard calibration in a vertical position with the pressure port connection down; differing installation position have to be specified in the order)
Weight	min. 400 g (depending on housing and mechanical connection)
Operational life	100 million load cycles
CE-conformity	EMC Directive: 2014/30/EU Pressure Equipment Directive: 2014/68/EU (module A) ⁷
ATEX Directive	2014/34/EU

⁷ this directive is only valid for devices with maximum permissible overpressure > 200 bar

Wiring diagram

2-wire-system (current) and HART® - communication

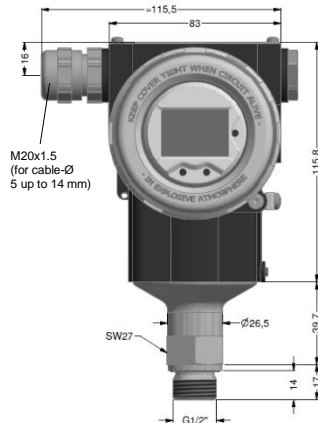
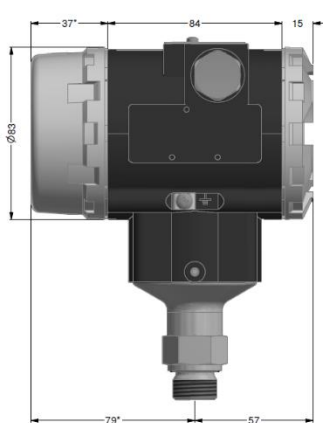


Pin configuration

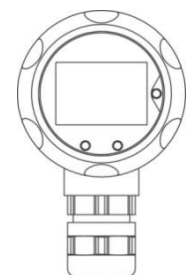
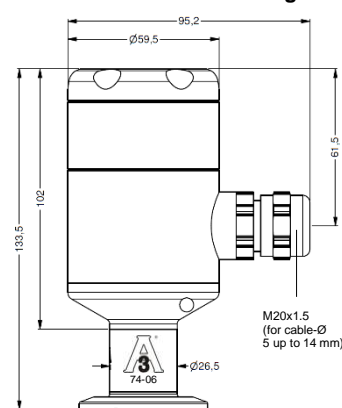
Electrical connections	aluminium die cast case: terminal clamps (clamp section: 2.5 mm ²)	stainless steel field housing: terminal clamps (clamp section: 1.5 mm ²)
Supply +	IN+	IN+
Supply -	IN-	IN-
Test (HART)	Test	-
Shield	⊕	⊕

Housing designs ⁸ (dimensions in mm)

aluminium die cast case



stainless steel field housing



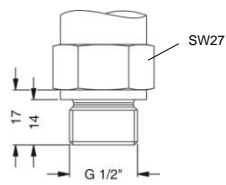
display (optional)

* without display and operating module marked dimensions decrease by 22 mm (with aluminium case)

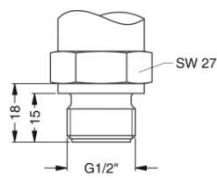
⇒ for nominal pressure $p_N > 400\text{ bar}$ increases the length of devices by 39 mm

⁸aluminium case is horizontally rotatable as standard

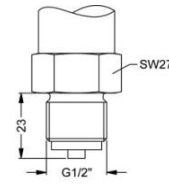
Standard pressure ports (dimensions in mm)



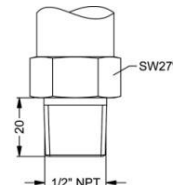
G1/2" DIN 3852



G1/2" flush (DIN 3852)
1 bar ≤ p_N ≤ 40 bar



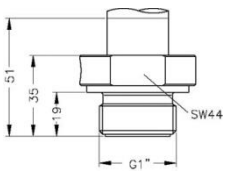
G1/2" EN 837
M20x1.5



1/2" NPT

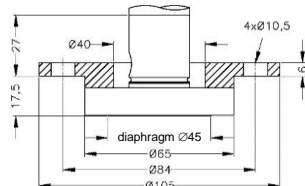
Process connections (dimensions in mm)

Inch thread (DIN 3852)



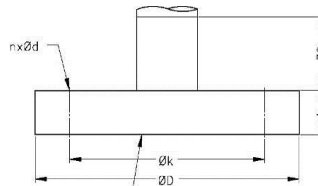
G1" flush
p_N ≤ 400 bar

DRD⁹



p_N ≤ 25 bar

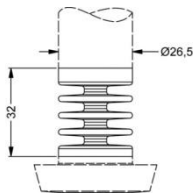
Flange (DIN 2501)



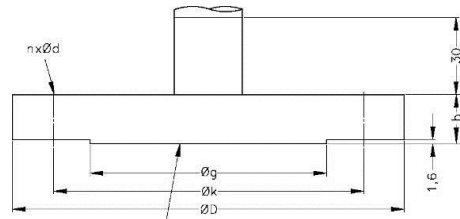
flush diaphragm ØE

dimensions in mm			
size	DN25	DN50	DN80
D	115	165	200
E	30	89	89
k	85	125	160
b	18	20	20
n	4	4	8
d	14	18	18
p _N [bar]	≤ 40	≤ 40	≤ 16

Cooling element 300 °C



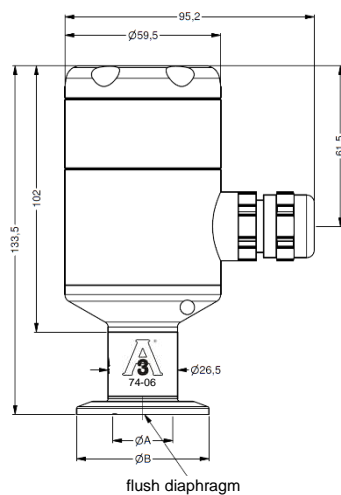
Flange (ANSI B16.5)



flush diaphragm ØE

dimensions in mm		
size	2"/150 lbs	3"/150 lbs
D	152.4	190.5
E	86	89
g	91.9	127
k	120.7	152.4
b	19.1	23.9
n	4	4
d	19.1	19.1
p _N [bar]	≤ 10	≤ 10

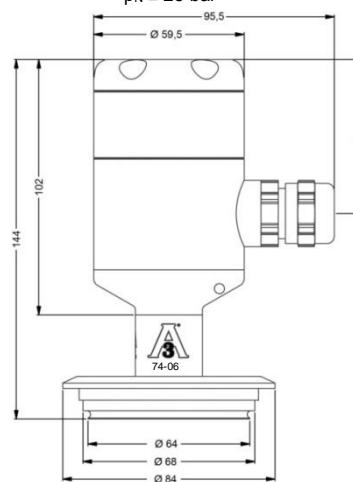
Clamp (DIN 32676)



flush diaphragm

dimensions in mm				
size	3/4"	DN25	DN32	DN50
A	14	23	32	45
B	25	50.5	50.5	64
p _N [bar]	≥ 4 ≤ 8	≥ 0.25 ≤ 16	≤ 16	≤ 16

Varivent® (DN 40/50) p_N ≤ 25 bar



⁹ mounting flange is included in the delivery (already pre-assembled)

HART® is a registered trade mark of HART Communication Foundation; Hastelloy® is a brand name of Haynes International Inc. Windows® is a registered trade mark of Microsoft Corporation

