



IXMP ci

Process Pressure Transmitter with HART®-communication

Ceramic Sensor

accuracy according to IEC 60770:
0.1 % FSO

Nominal pressure

from 0 ... 160 mbar up to 0... 20 bar

Output signals

2-wire: 4 ... 20 mA
others on request

Special characteristics

- ▶ turn-down 1:5
- ▶ two chamber aluminium die cast case or stainless field housing
- ▶ internal or flush mounted capacitive ceramic sensor
- ▶ HART®-communication
- ▶ explosion protection intrinsic safety (ia)
- ▶ diaphragm Al₂O₃ 99.9 %



Optional versions

- ▶ explosion protection flameproof equipment (d)
- ▶ with integrated display and operating module
- ▶ several process connections (thread, flange, DRD etc.)



The process pressure transmitter IXMP ci measures the pressure of gases, steam and fluids. The special-developed capacitive ceramic sensor for this transmitter has a high overpressure capability and excellent media stability.

Several process connections e.g. thread or flange are available. The transmitter is as a standard equipped with HART®-communication, the customer can choose between a two chamber aluminium die cast case or a stainless field housing.

Preferred areas of use are

-  Oil and gas industry
-  Chemical and petrochemical industry

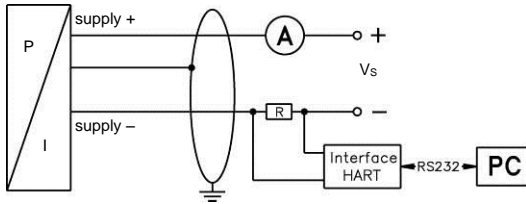
Preferred using in

-  Fuel and oil
-  Aggressive media



| Miscellaneous | |
|-----------------------|---|
| Display (optionally) | LC-display, visible range 32.5 x 22.5 mm; 5-digit 7-segment main display, digit height 8 mm, range of indication ± 9999 ; 8-digit 14-segment additional display, digit height 5 mm; 52-segement bargraph; accuracy 0.1 % ± 1 digit |
| Ingress protection | IP 67 |
| Installation position | any |
| Weight | min. 400 g (depending on housing and mechanical connection) |
| Operational life | 100 million load cycles |
| CE-conformity | EMC Directive: 2014/30/EU |
| ATEX Directive | 2014/34/EU |

Wiring diagram

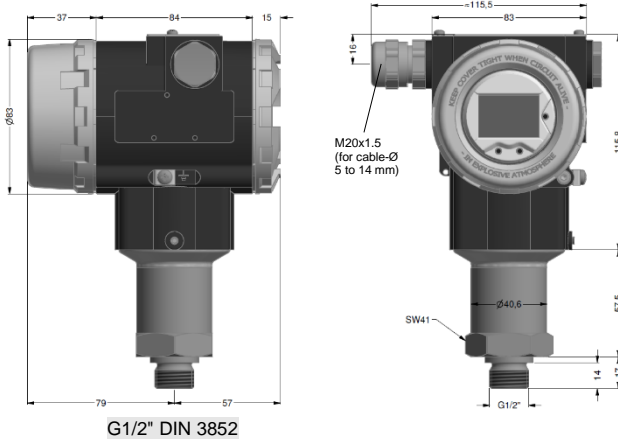


Pin configuration

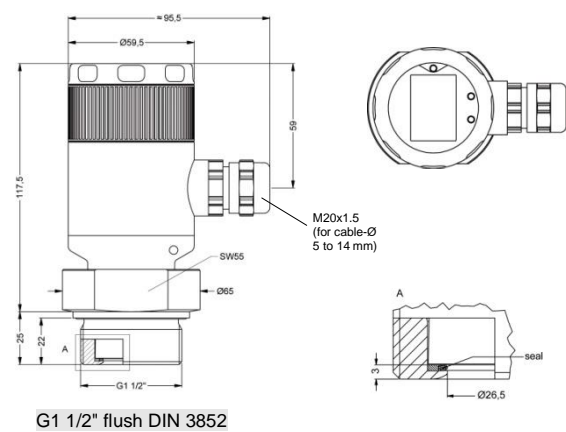
| Electrical connections | aluminium die cast case: terminal clamps (clamp section: 2.5 mm ²) | stainless steel field housing: terminal clamps (clamp section: 1.5 mm ²) |
|------------------------|--|--|
| Supply + | IN+ | IN+ |
| Supply - | IN- | IN- |
| Test | Test | - |
| Shield | ⊕ | ⊕ |

Housing designs ⁶ (dimensions in mm)

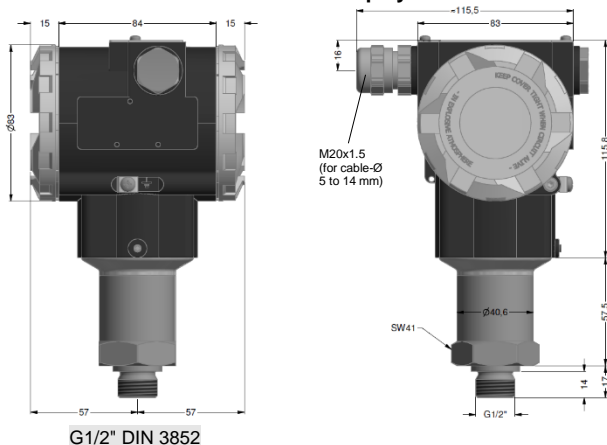
aluminium die cast case with display



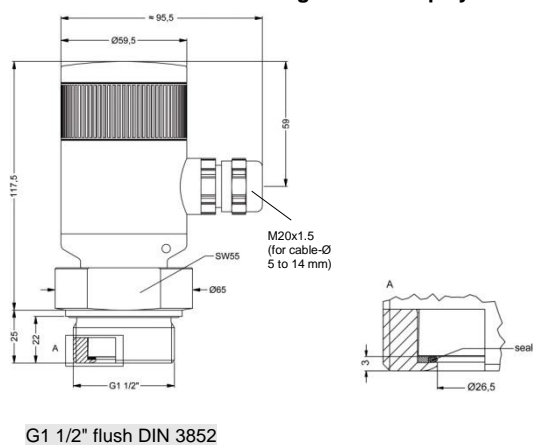
stainless steel field housing with display



aluminium die cast case without display

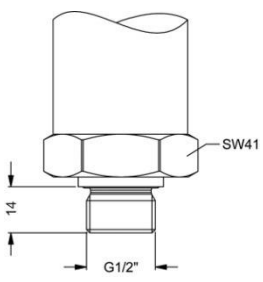


stainless steel field housing without display

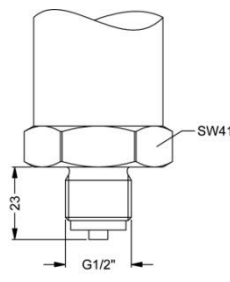


⁶aluminium die cast case is horizontally rotatable as standard

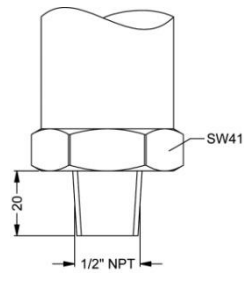
Standard pressure ports (dimensions in mm)



G1/2" DIN 3852



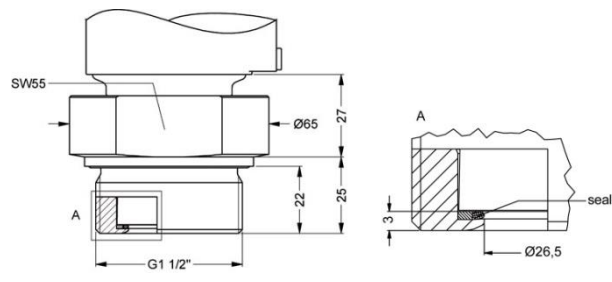
G1/2" EN 837



1/2" NPT

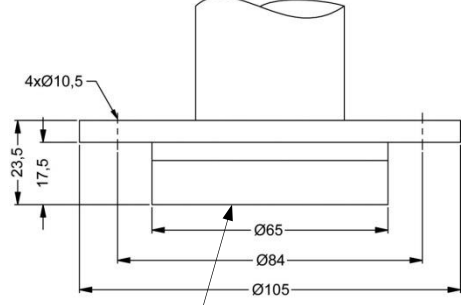
Process connections (dimensions in mm)

Inch thread



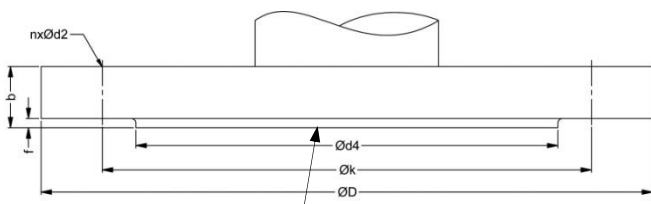
G1 1/2" flush DIN 3852

DRD ⁷



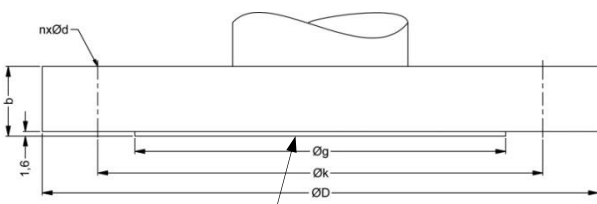
flush diaphragm Ø26.5

Flange (DIN 2501)



flush diaphragm Ø26.5

Flange (ANSI)



flush diaphragm Ø26.5

| | dimensions in mm | | |
|------|------------------|----------|----------|
| size | DN25 | DN50 | DN80 |
| D | 115 | 165 | 200 |
| k | 85 | 125 | 160 |
| d4 | 68 | 102 | 138 |
| b | 18 | 20 | 20 |
| f | 2 | 3 | 3 |
| n | 4 | 4 | 8 |
| d2 | 14 | 18 | 18 |
| pN | ≤ 40 bar | ≤ 40 bar | ≤ 16 bar |

| | dimensions in mm | |
|------|------------------|------------|
| size | 2"/150 lbs | 3"/150 lbs |
| D | 152.4 | 190.5 |
| g | 91.9 | 127 |
| k | 120.7 | 152.4 |
| b | 19.1 | 23.9 |
| n | 4 | 4 |
| d | 19.1 | 19.1 |
| pN | ≤ 10 bar | ≤ 10 bar |

⁷ mounting flange is included in the delivery (already pre-assembled)
 HART® is a registered trademark of HART Communication Foundation;
 Windows® is a registered trademark of Microsoft Corporation

© 2020 BD|SENSORS GmbH – The specifications given in this document represent the state of engineering at the time of publishing. We reserve the right to make modifications to the specifications and materials.

