

DYNISCO MODEL 1195

Smart Pressure Transmitter for Button-Seal Mounting



Description

Dynisco's IPX II Series 1195 is a high performance, microprocessor based transmitter with ambient and sensor temperature compensation, featuring a thin film sensor and proprietary fabrication techniques. The Model 1195 provides a high accuracy pressure measurement available in a button-seal mounting. Ranging and setup of the transmitter may be accomplished with a dual LCD display, the Windows™ based software Smartlink or by using a HART® communicator.

Features

- Accuracy of $\pm 0.15\%$ of range compensated for temperature (range specific)
- Temperature compensation
- 4 to 20 mA, 2 - wire output
- 6:1 span turn - down capability
- Split design
- Optional second 4 to 20 mA signal for temperature
- Optional programmable LCD display
- HART digital communication
- FM approved models
- Intrinsically safe models

Benefits

- Improves process optimization and removes temperature effects
- Improves accuracy
- Process industry standard
- Allows use in multiple ranges
- Easy to install
- Output temperature signal to display system
- At line readout of pressure or temperature
- Process industry standard
- Approved for operation in hazardous areas
- Approved for EEx ia IIC



Specifications

Performance Characteristics

Ranges:

psi: 0 - 750, 0 - 1,500, 0 - 3,000, 0 - 5,000, 0 - 7,500, 0 - 10,000
bar: 0 - 50, 0 - 100, 0 - 200, 0 - 350, 0 - 500, 0 - 680

Accuracy:

$\pm 0.15\%$ of full scale range: Within 20% to 100% of range and within process temperatures of 77°F to 575°F (25°C to 300°C) ($\pm 0.25\%$ for 750 psi range)
 $\pm 0.25\%$ of full scale range: Within 0% to 20% of range and within process temperatures of 77°F to 575°F (25°C to 300°C) ($\pm 0.50\%$ for 750 psi range)

Hastelloy:

$\pm 0.30\%$ of full scale range: Within 20% to 100% of range and within process temperatures of 77°F to 575°F (25°C to 300°C) ($\pm 0.60\%$ for 750 psi range)
 $\pm 0.60\%$ of full scale range: Within 0% to 20% of range and within process temperatures of 77°F to 575°F (25°C to 300°C) ($\pm 1.00\%$ for 750 psi range)

Temperature Characteristics

Operating temperature ranges (compensated):

Process: 77°F to 575°F (25°C to 300°C) optional to 660°F (350°C)
Electronics: 77°F to 176°F (25°C to 80°C)

Electrical Characteristics

Output: 2 - wire, 4 to 20 mA. Hart digital communication superimposed on the 4 to 20 mA signal is available for remote configurations.

Damping: 0 to 32 second time constant, adjustable through HART communicator or SmartLink Software.

Power supply: 12 to 42 Vdc for non intrinsically safe; 12 to 30 Vdc for

LCD Display

Allows transducer to be configured and ranged at line before or after installation. Displays process pressure, 0 - 100% bar graph and temperature (optional).

Approvals

CE approved
FM approved, Explosion - Proof, Class I, Division 1, Groups B, C and D, Class II/III, Division 2, Groups E, F and G (optional),
SIRA approved, Intrinsically Safe, EEx ia IIC (optional)

Resolution: 0.035% full scale or better

Zero span and adjustment: Zero: +84% of range; Span: 16% to 100% of range

Turn-down: 6:1

Overpressure limit: 1.5 x range

Sample rate: >10/sec

Long term stability: <0.09% of full scale per year

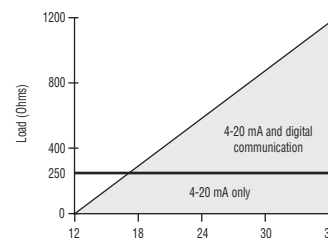


Temperature effects:

Electronics: $\pm 0.15\%$ span/99°F ($\pm 0.15\%$ span/55°C)

Electronics housing: IP66, NEMA 4x

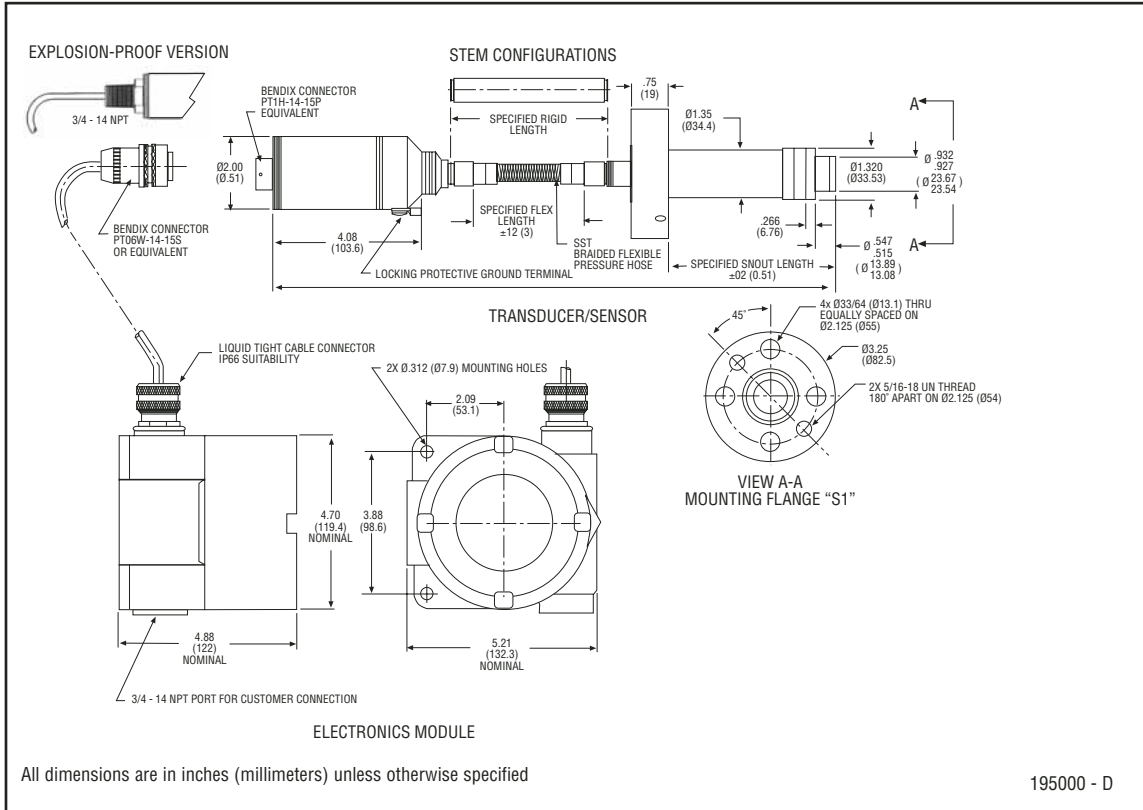
Load limitation: Maximum loop resistance is determined by the voltage of the external power supply. Digital communication requires a minimum loop resistance of 250 Ohms. (See sample below)



(Shown for standard unit without LCD display)

DYNISCO MODEL 1195

Smart Pressure Transmitter for Button-Seal Mounting



Ordering Guide

| Model | Diaphragm Material | | Flange Type | | Flange Options | | Pressure Ranges | | Snout Length | | | |
|--|--------------------|------------------------------|-------------|---------------------------------------|----------------|-------------------|-----------------|------------|--------------|---------|------|---|
| | Code | Description | Code | Description | Code | Description | Code | psi | Code | bar | Code | Length |
| N1195: No Approvals S1195: Intrinsically Safe, EE x ia IIC E1195: Explosion-Proof Class 1, Division 1, Groups B, C and D Class II/III, Division 2, Groups E, F and G | (Blank) | 15-5 PH SST | (Blank) | Standard flange | (Blank) | Non-welded flange | 7.5C | 0 - 750 | 50B | 0 - 50 | 2.4 | 2.4" (61) |
| | | with Dymax® coated diaphragm | SX | Different flange type consult factory | W | Welded flange | 1.5M | 0 - 1,500 | 1CB | 0 - 100 | 4.77 | 4.77" (121) |
| | | H | Hastelloy | | | | 3M | 0 - 3,000 | 2CB | 0 - 200 | 5 | 5" (127) |
| | | | | | | | 5M | 0 - 5,000 | 3.5CB | 0 - 350 | 6 | 6" (152) |
| | | | | | | | 7.5M | 0 - 7,500 | 5CB | 0 - 500 | | |
| | | | | | | | 10M | 0 - 10,000 | 6.8CB | 0 - 680 | | |
| | | | | | | | | | | | | For non-standard lengths please consult factory |

| Standard Stem (Extension) Lengths | | Temperature Output | | LCD Display | | Communication Protocol | | Options | | Cable Length | |
|---|-----------|--------------------|-------------------------|-------------|-------------------------------|------------------------|-------------------|---------|---|--------------|---|
| Code | Length | Code | Description | Code | Description | Code | Description | Code | Description | Code | Description |
| 18 | 18" (457) | (Blank) | No second 4-20mA output | (Blank) | No display | H | HART configurable | M625 | Full snout temperature compensated to 660°F (350°C) | (Blank) | 120" (3048) |
| 30 | 30" (762) | T | Second 4-20mA output | D2 | Programmable dual LCD display | | | | | L72 | 72" (1829) |
| "R" after code refers to rigid. For non-standard lengths please consult factory Note: Max. "snout & capillary" lengths is 36" (914) | | | | | | | | | | | CE and intrinsically safe models are supplied with 72" (1824) of cable. |

Ordering Example: S1195 - 1.5M - 6/18 - T - D2

- Notes:
- Please consult factory for alternate full scale settings and available options.
 - Consult factory for different flange size and rating.
 - Mounting bracket P/N 190750 is recommended.
 - 10M units are compensated to at least 7.5M and extrapolated to 10M

